

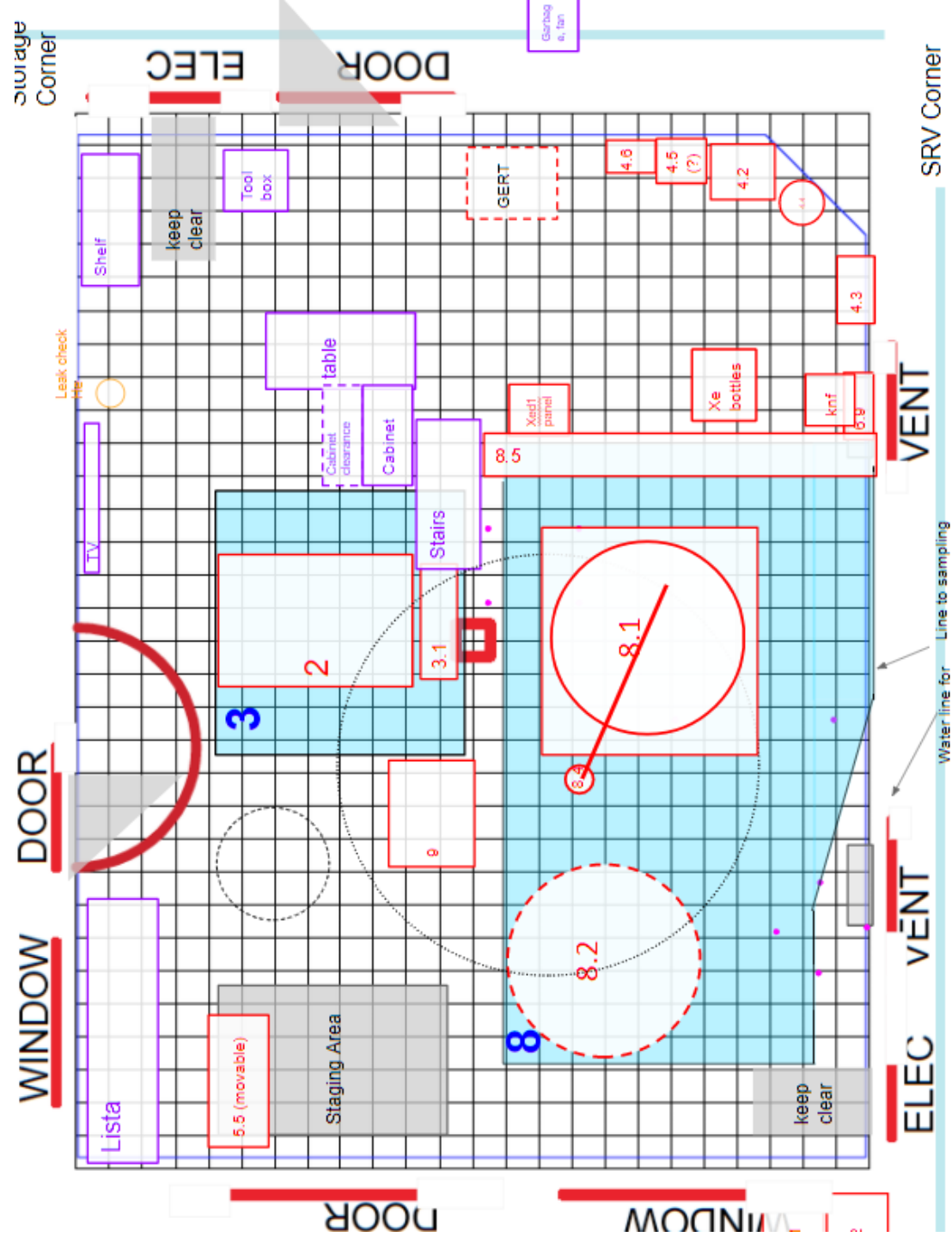
Phase II

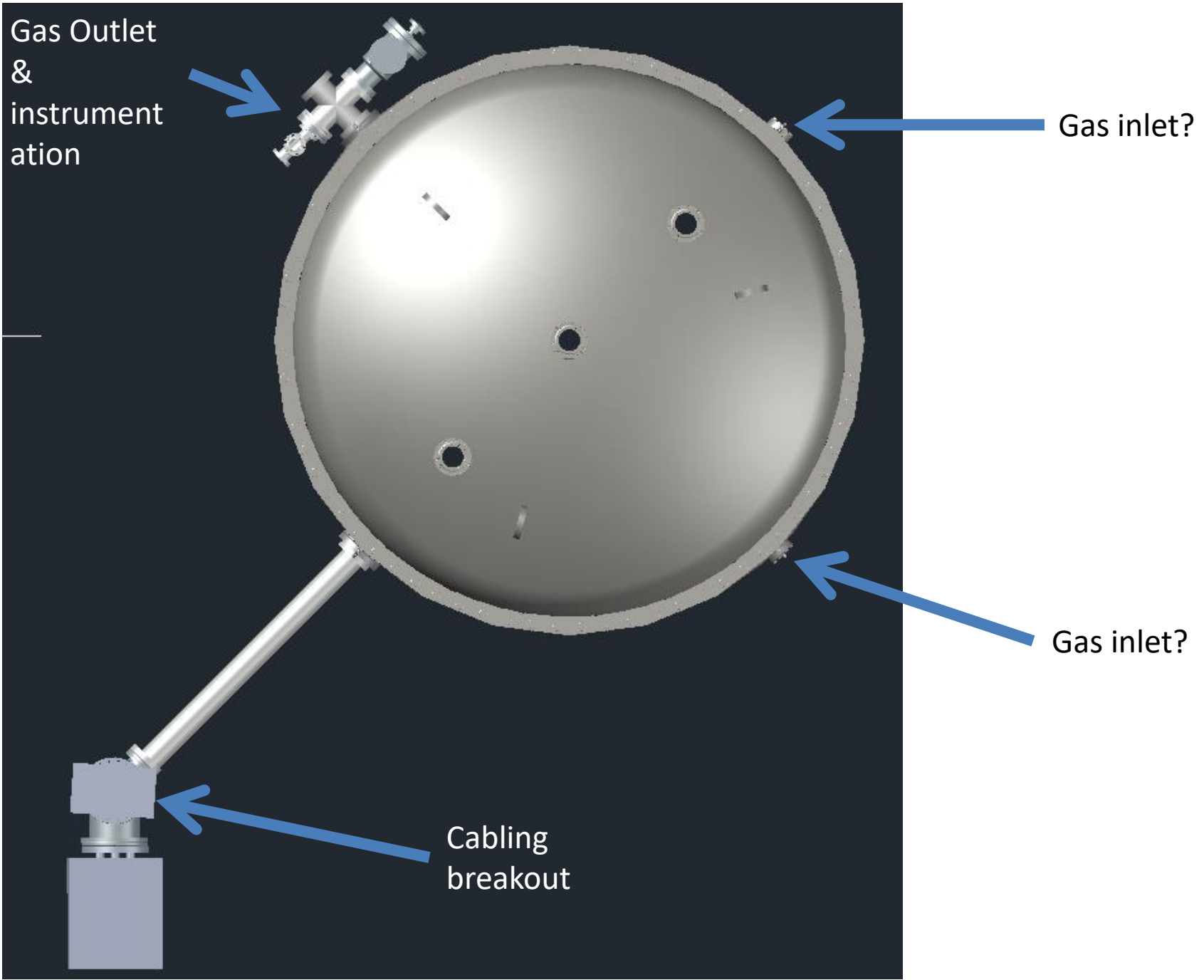
Shaun Alsum

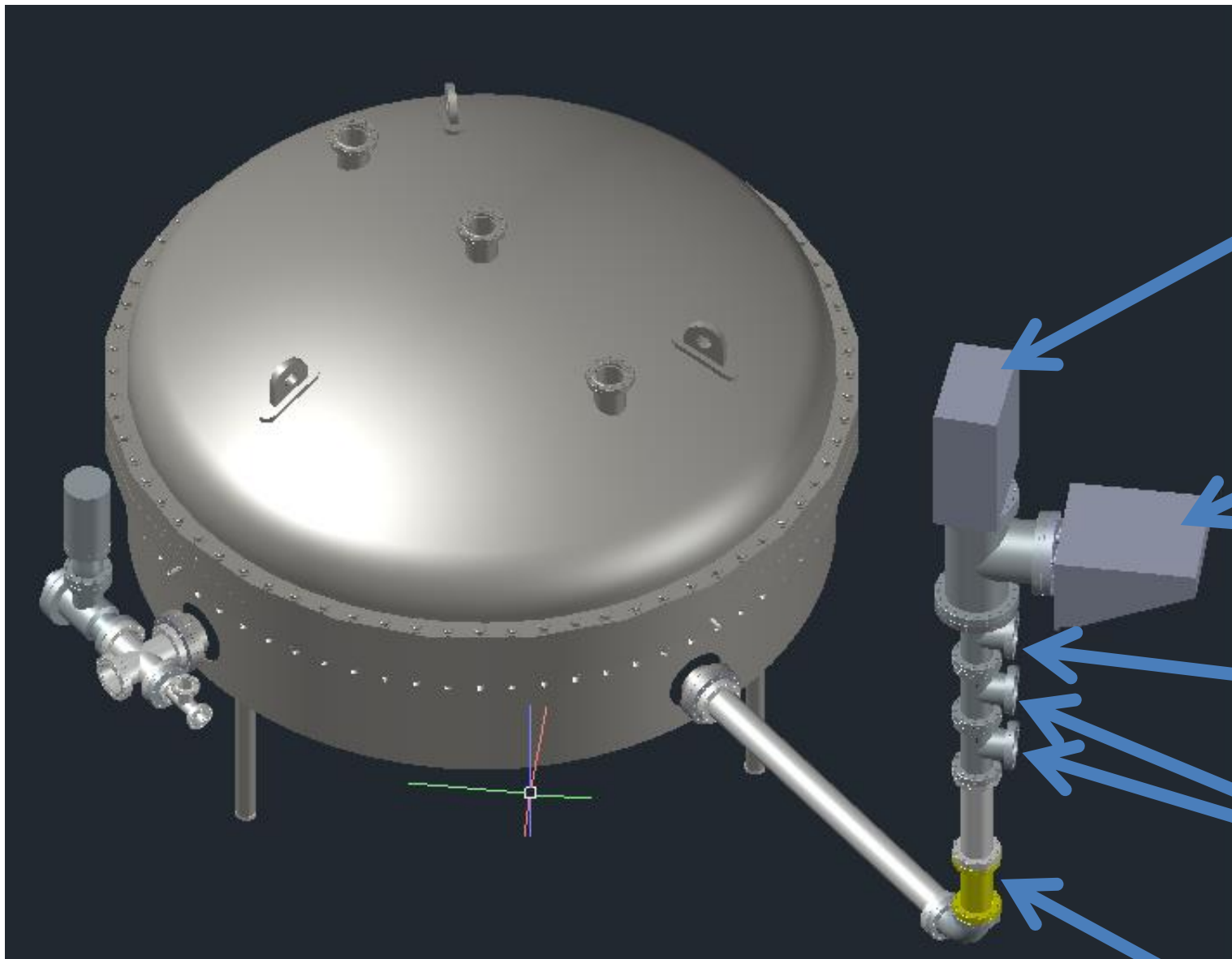
New Stuff

Breakout

Hut layout to orient you. Sorry words are sideways







PMT Sig
filter box

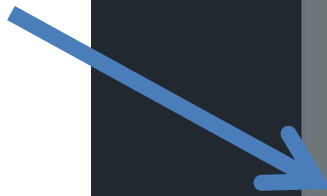
PMT HV FT
box

LED,
Camera, LA

Grid/hoop/
refl plate
HV

Bellows

Turbo



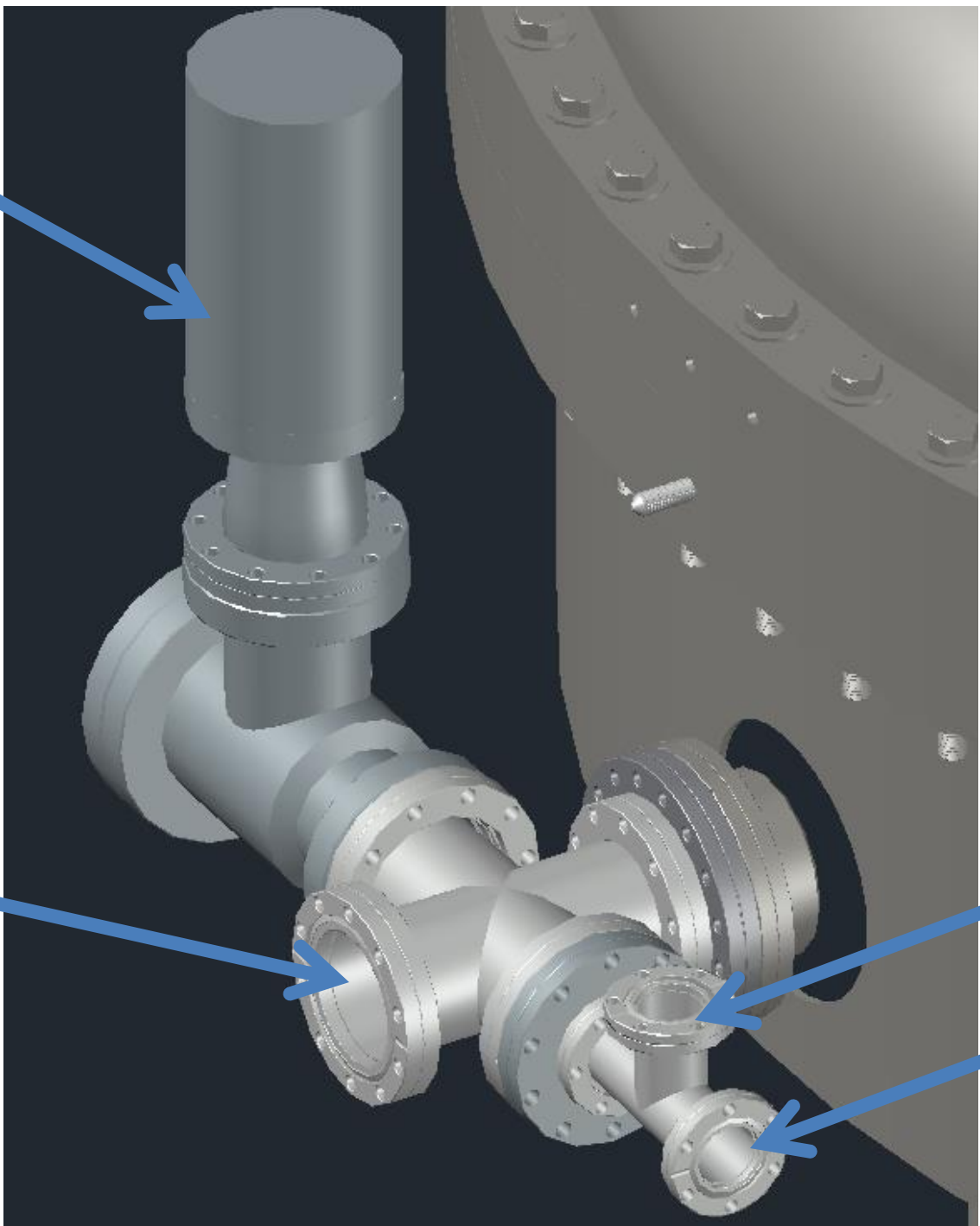
To VCR outlet on which >1bar pressure gauges



Hornet

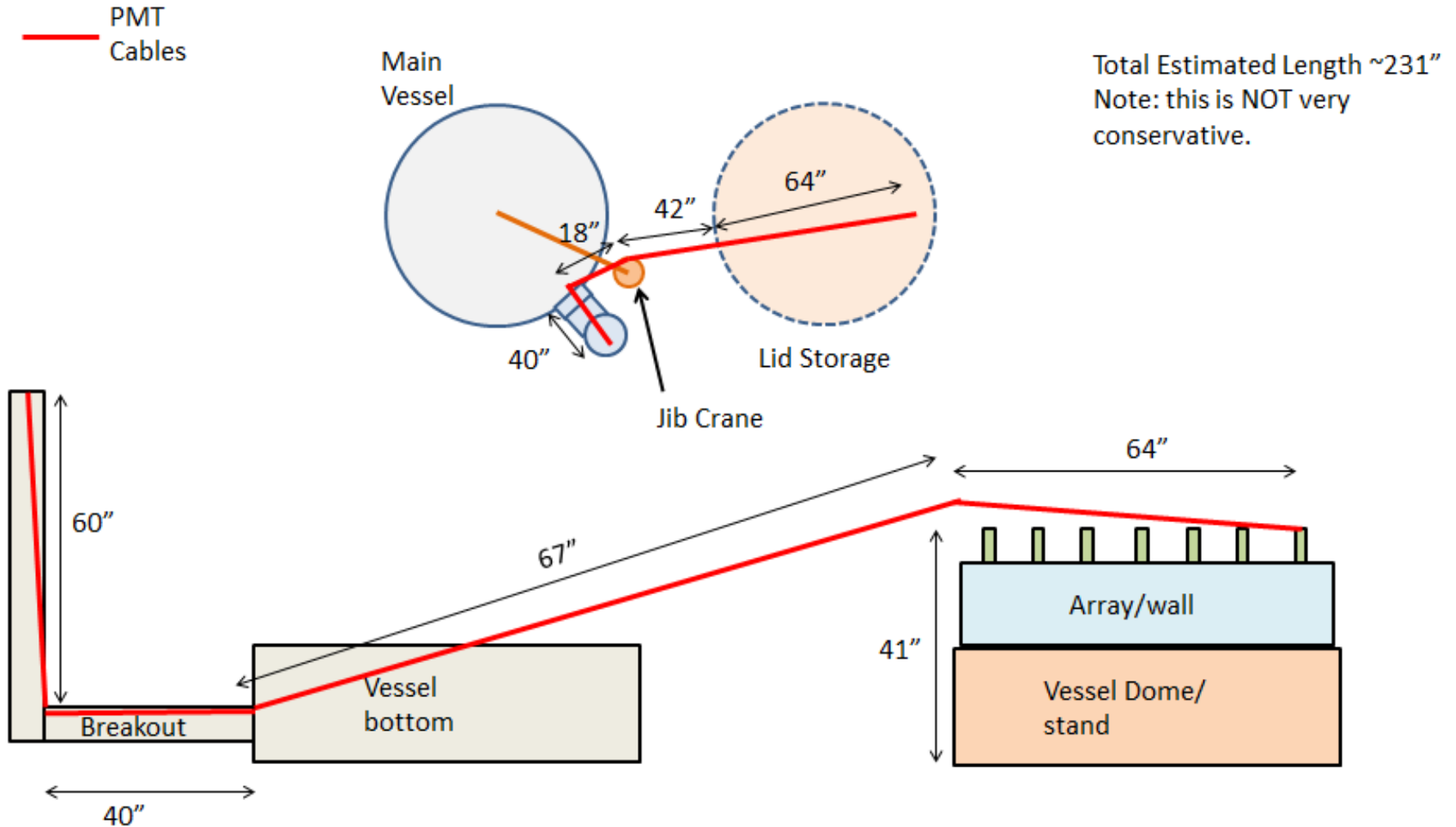


Worker bee



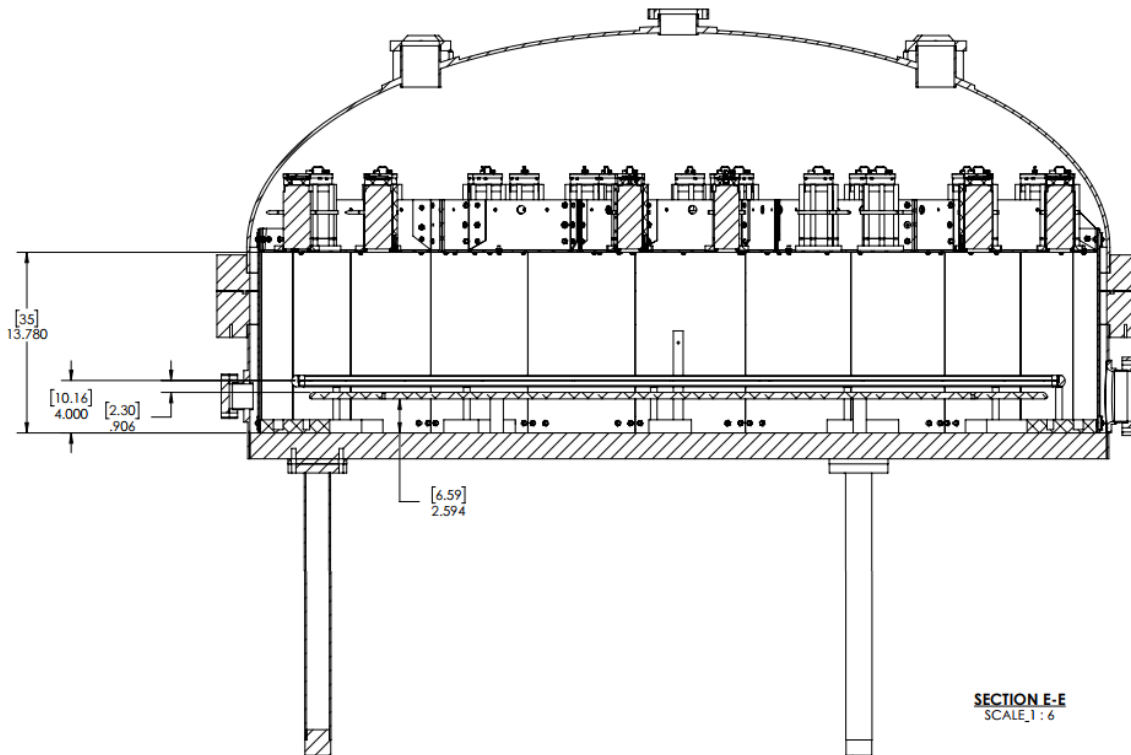
Old stuff

PMT cable length estimates



System Test Phase II - LZ

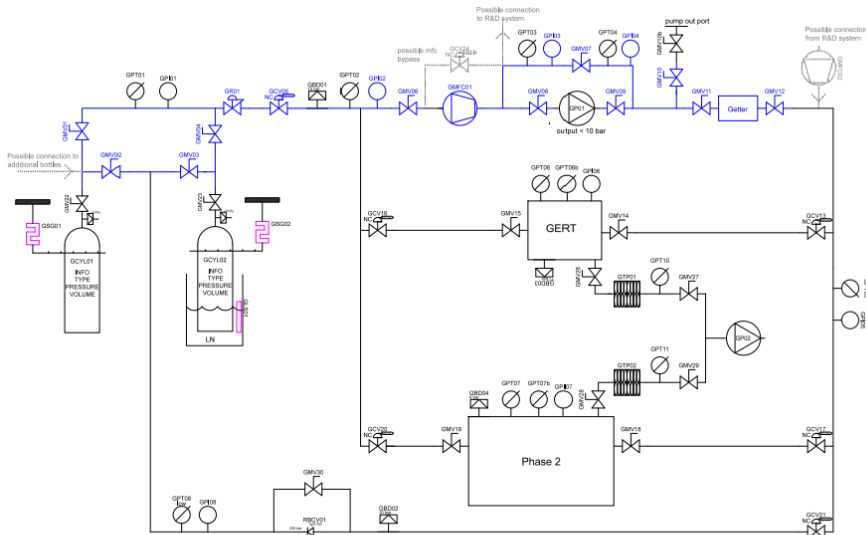
- Large Vessel designed to test the LZ field generating grids in Xe gas.



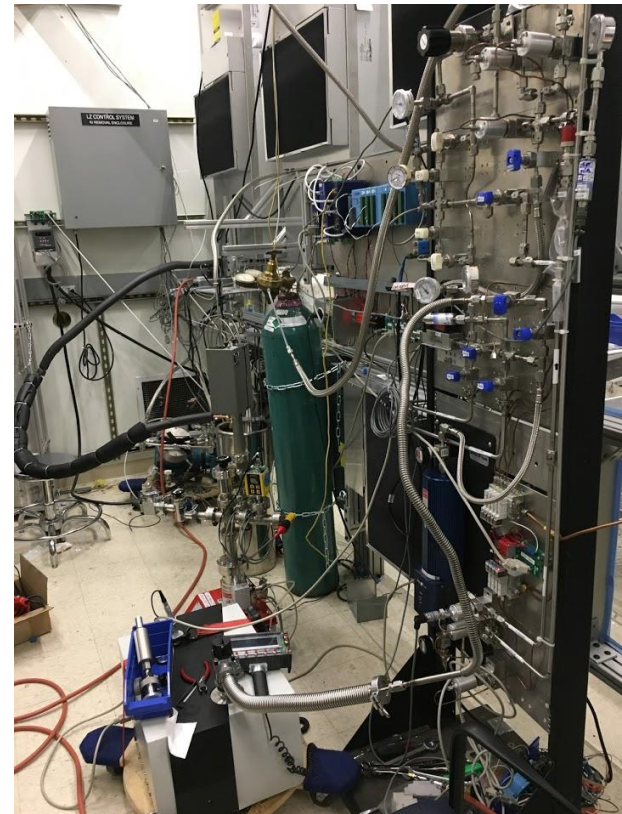
CONFIGURATION:

Gas Circulation

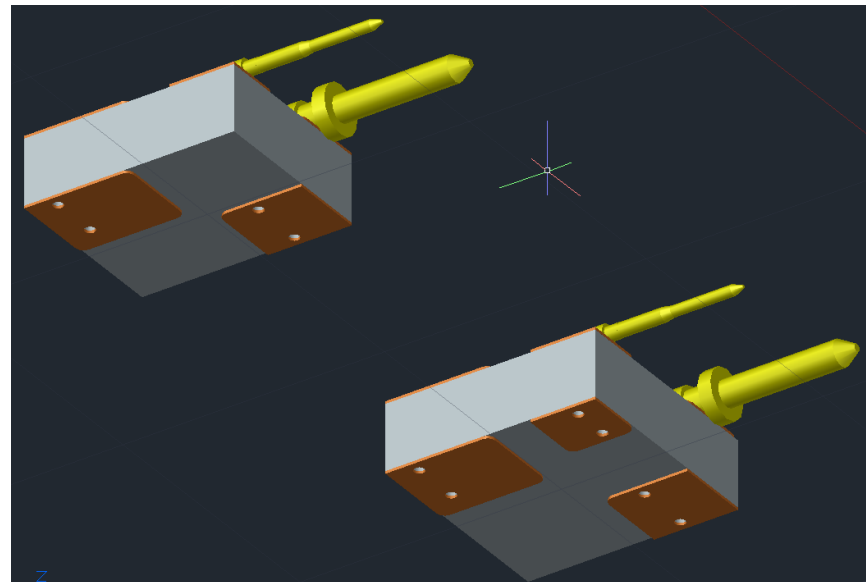
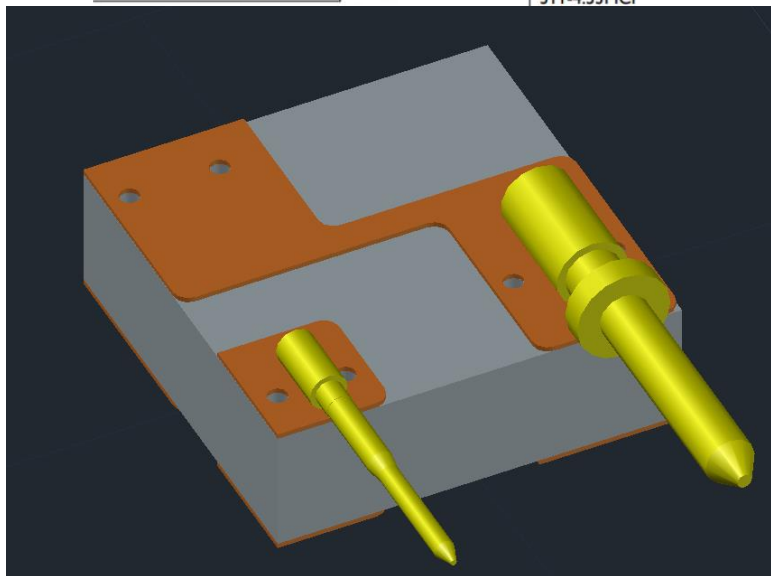
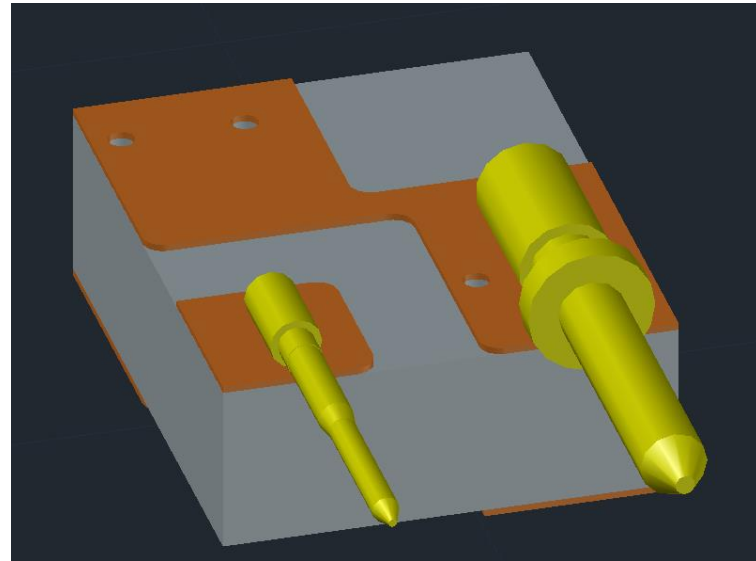
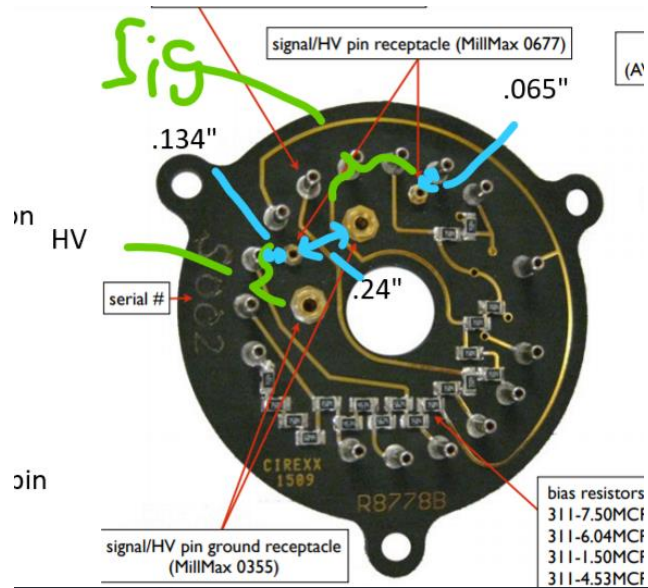
Assist in concept, design, and construction of Phase II/Gas Test gas system



Title: LZ R&D Phase 2 and GERT P&ID
Version 1.0: April 25, 2017
SLAC National Accelerator Laboratory
Reviewed by: Christine Brown (cbr@slac.stanford.edu)



PMT connections



PMT array test assembly

- 43 bent sheet metal pieces
- Ensure they fit correctly and withstand manipulation and stress
- Thorough cleaning

